

Core Lounge

Assembly Instructions

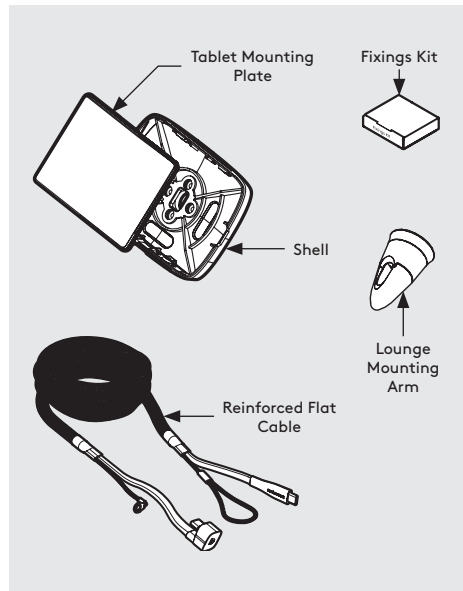
Tools Required:

- Socket Driver

Sheet Code: BP-IM-091_REV0

Release Date: 22/08/2024

Copyright 2024 Spotspot Ltd. (T/A Bouncepad) all rights reserved. Confidential, no part of this publication may be reproduced or transmitted in any form without the written permission of the copyright holder.

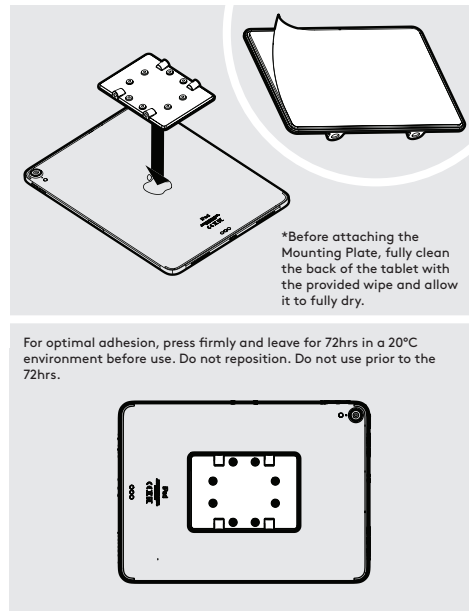


In the Box

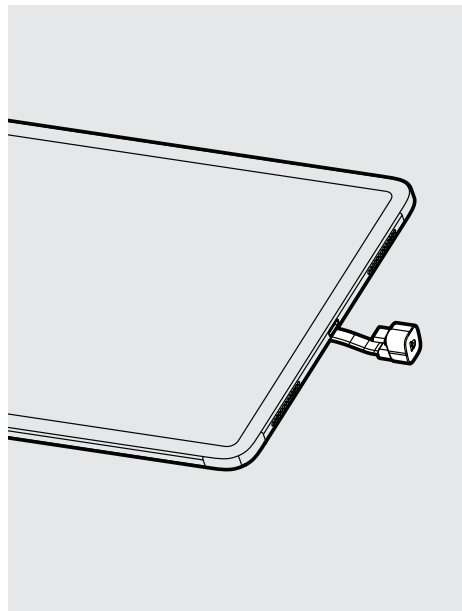


Fixings List

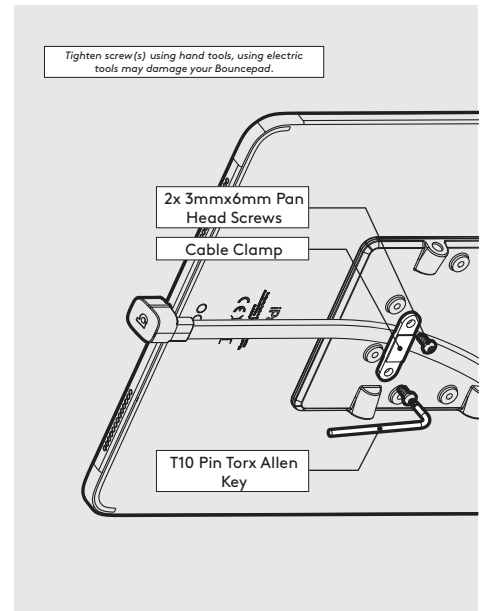
* Due to the modular nature of our product range you may receive additional fixings in the fixings kit



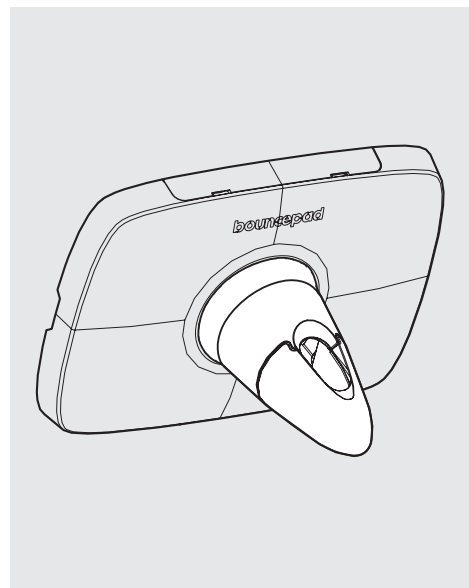
1 Remove the Mounting Plate adhesive backing. Attach level & centrally to the Tablet back as shown.



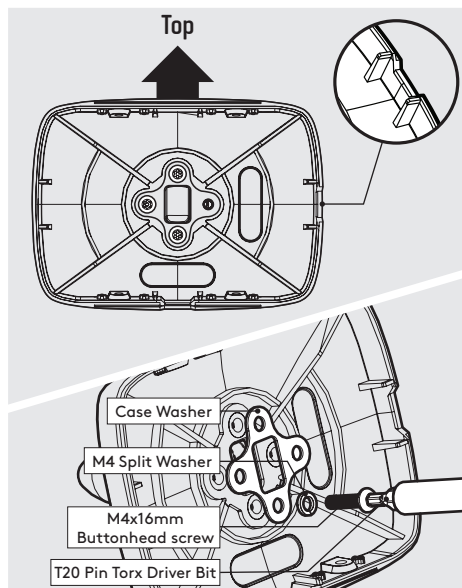
2 Attach the Reinforced Flat Cable to the Tablet with the U-Bend Head.



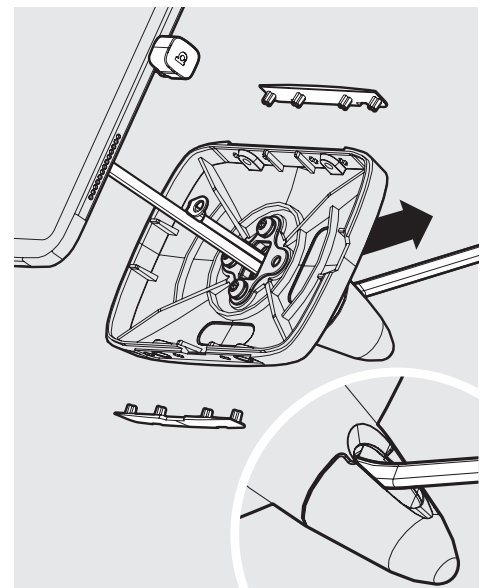
3 Secure the Reinforced Flat Cable to the Mounting Plate with the Cable Clamp as shown.



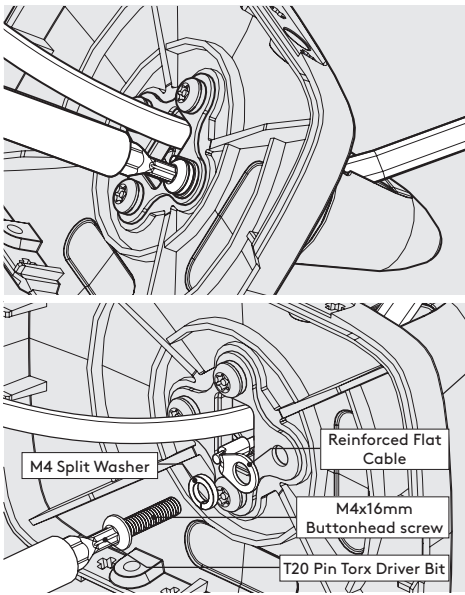
4 Ensure the Lounge Cone is orientated correctly as shown, with the cable exit at the top.



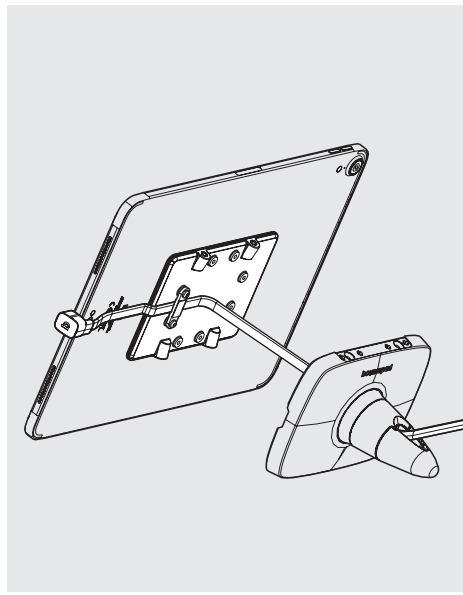
5 Attach the Shell to the Lounge as shown.



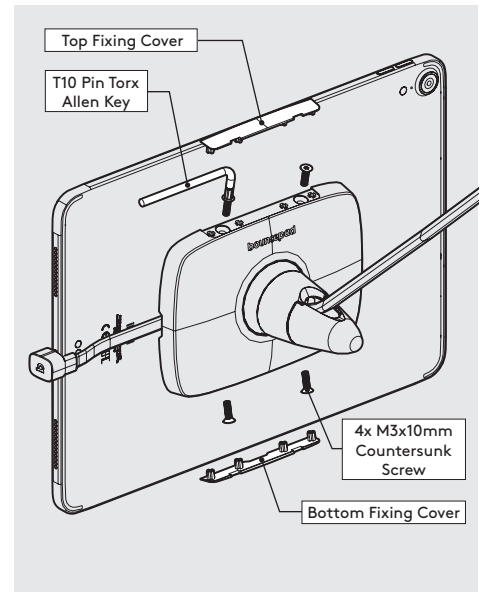
6 Remove the Fixing Covers. Feed the Reinforced Flat Cable through the Shell & Lounge Cone as shown.



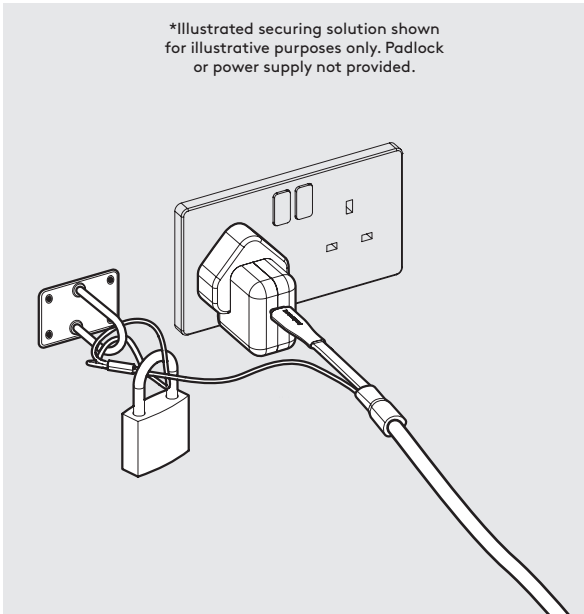
7 Secure the Reinforced Flat Cable to the Shell.



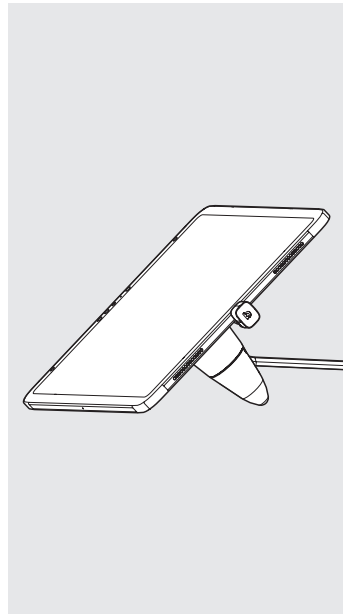
8 Locate the Tablet Mount onto the Shell.



9 Secure the Tablet to the Shell & attach the Fixing Covers as shown.



9 Connect the Tablet cable to its power supply & turn on. We recommend locking the reinforced cable to an immovable object for security.



10 Installation is now complete.