

Core Swivel 60

Assembly Instructions

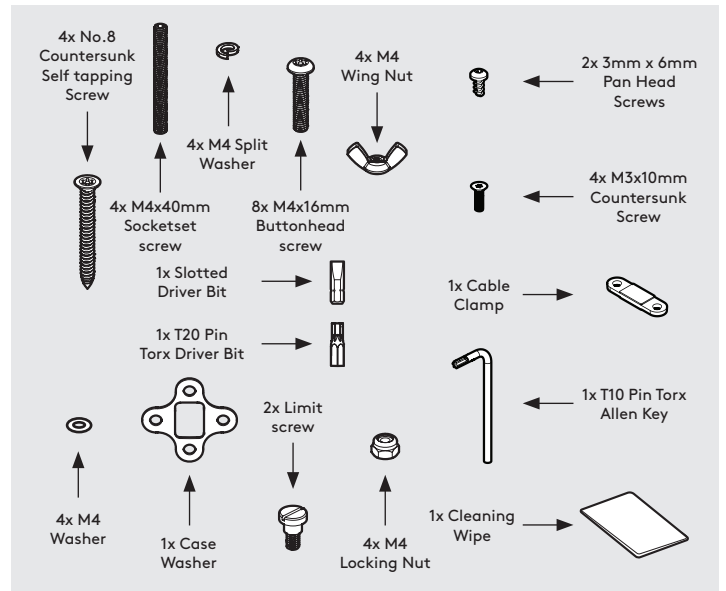
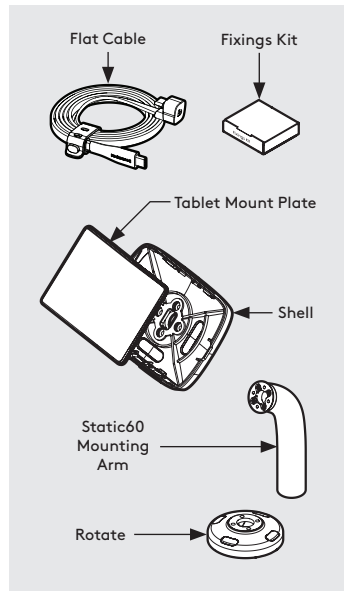
Tools Required:

- Pencil
- Electric Drill
- 7mm Spanner **or adjustable spanner*
- 5.0mm Drillbit **if fixing from below*
- 2.5mm Drillbit **if fixing from above*
- 16mm Holesaw **if routing the tablet cable through your mounting surface*
- Socket Driver

Sheet Code: BP-IM-090_REV0

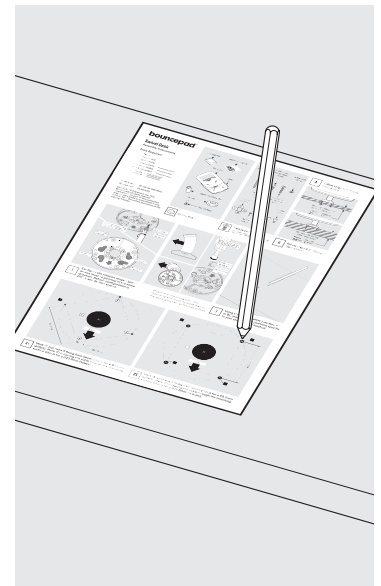
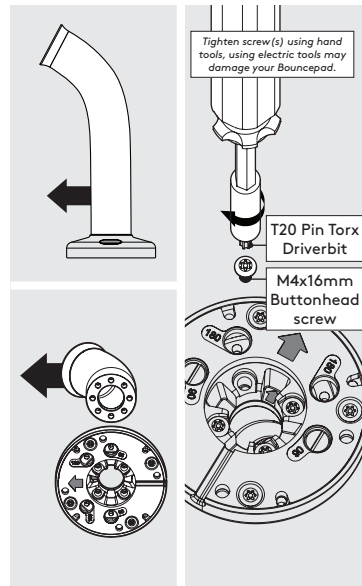
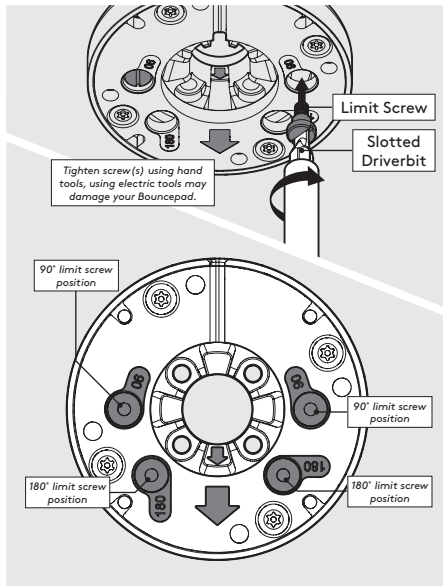
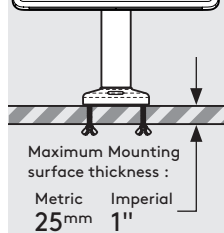
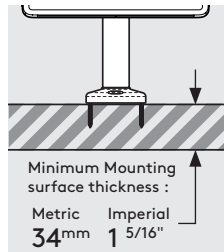
Release Date: 15/08/2024

Copyright 2024 Spotspot Ltd. (T/A Bouncepad) all rights reserved. Confidential, no part of this publication may be reproduced or transmitted in any form without the written permission of the copyright holder.



** Due to the modular nature of our product range you may receive additional fixings in the fixings kit*

A Follow steps A if "Fixing from above".

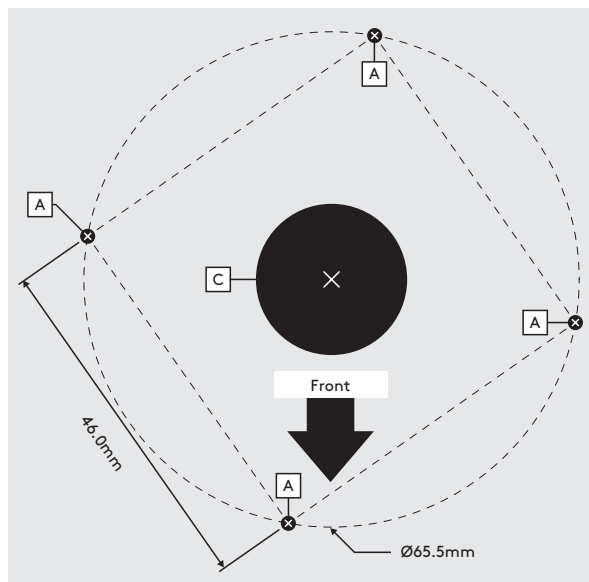


B Follow steps B if "Fixing from below".

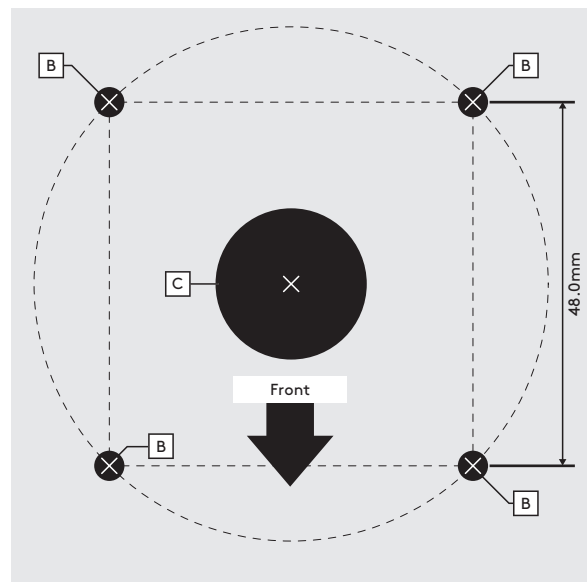
1 Configure the rotation range - both arrows must point in the same direction. Default configuration is 270°. Insert 2x limit screws.

2 Attach the Static60 Arm. The Static60 Arm must lean forward in the same direction as the two arrows.

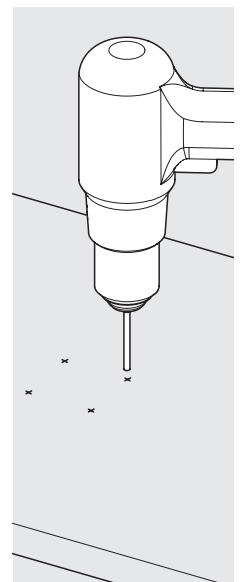
3 Using the hole template (see step A or B), mark the hole positions specific to your chosen fixing method.



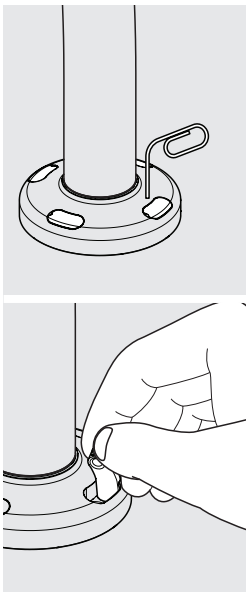
A1 Mark 'A' positions for "Fixing from above" (Ø2.5mm drillbit). Mark 'C' for the cable hole. (Ø20.0mm Holesaw).



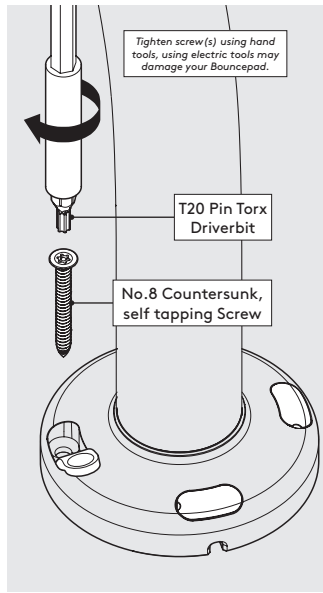
B1 Mark 'B' positions for "Fixing from below" (Ø5.0mm drillbit). Mark 'C' for routing the cable hole. (Ø20.0mm Holesaw).



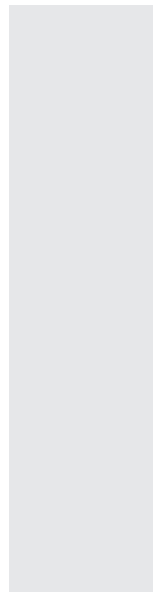
4 Drill the required holes.



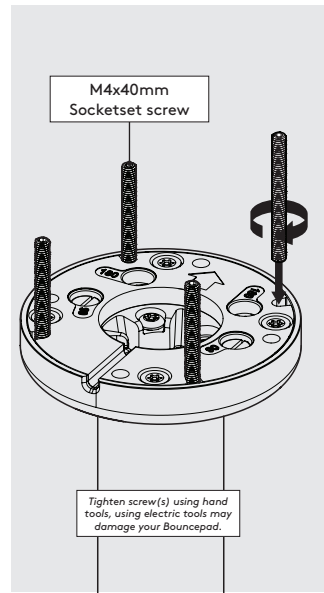
A2 Lift & hold the rubber screw covers.



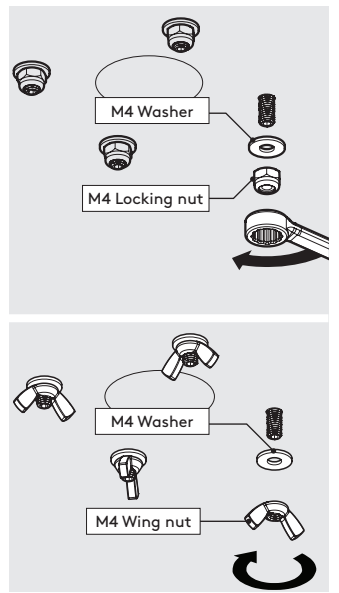
A3 Secure the Rotate to the mounting surface, then close the covers.



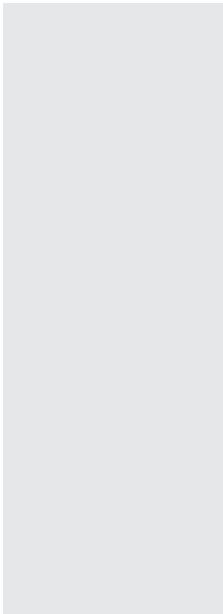
A4 Go to step 5



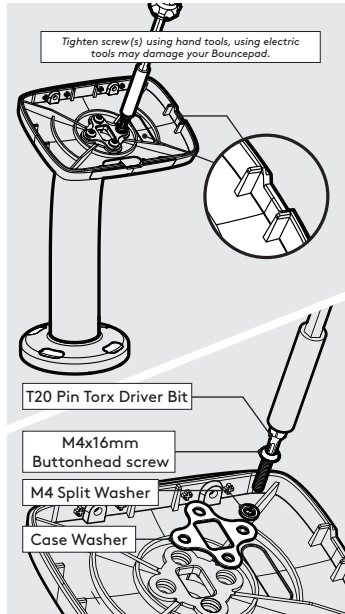
B2 Screw in the 4x Socket Set Screws. Ensure full thread engagement.



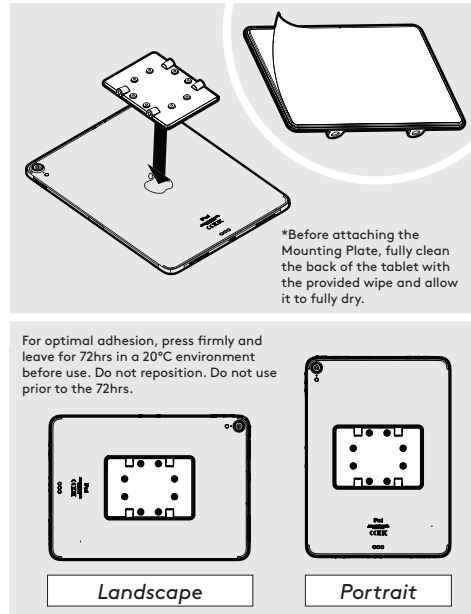
B3 Secure to the surface. Locking nuts offer greater security.



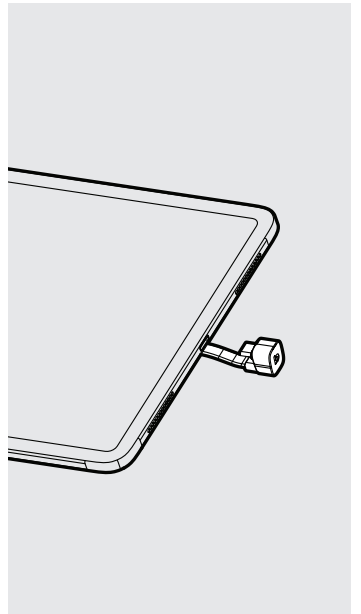
B4 Go to step 5.



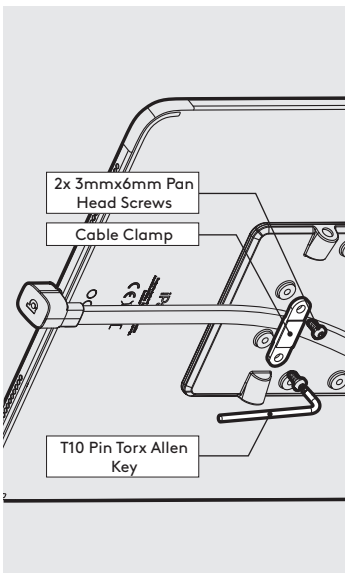
5 Locate & attach the Shell to the Static60 in the correct orientation.



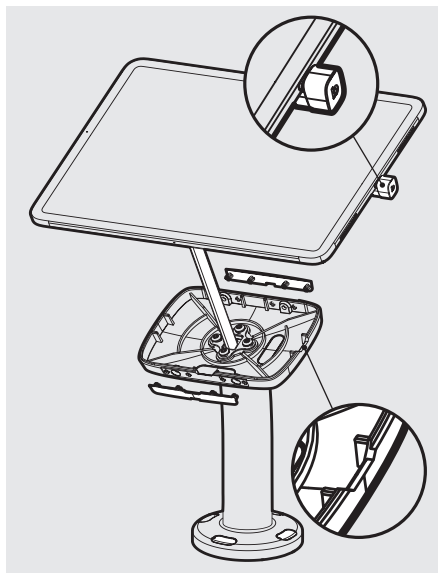
6 Remove the Mounting Plate adhesive backing. Attach level & centrally to the Tablet back as shown.



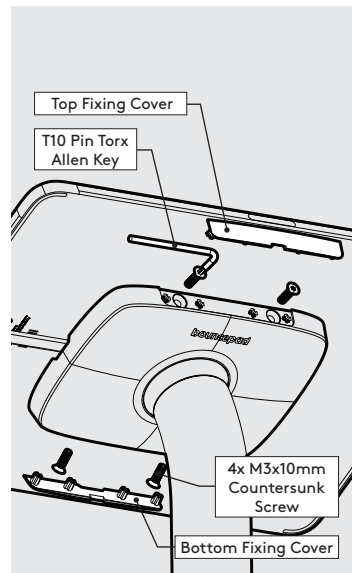
7 Attach the Flat Cable to the Tablet with the U-Bend Head.



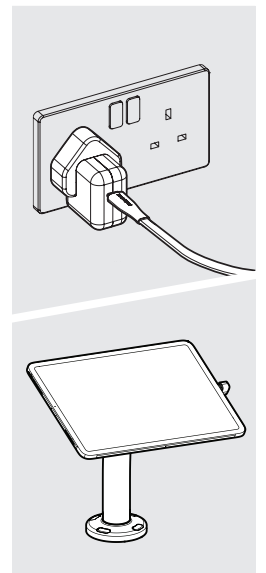
8 Secure the Flat Cable to the Mounting Plate with the Cable Clamp as shown.



9 Remove the Fixing Covers. Feed the Flat Cable into the assembly & locate the Tablet in the chosen orientation.



10 Secure the Tablet to the Shell & attach the Fixing Covers as shown.



11 Connect tablet to power & installation is now complete.